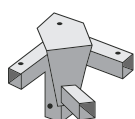


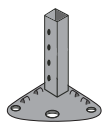
CONTENTS - INHOUD - CONTENU:



A
4 pcs



B
1 pcs



C
3 pcs



D
8 pcs



E
4 pcs



F
4 pcs



G
1 pcs



H
1 pcs



I
1 pcs



J
4 pcs



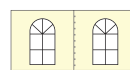
K
4 pcs



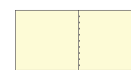
L
4 pcs



M
1 pcs



N
2 pcs



O
2 pcs



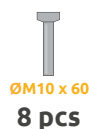
P
8 pcs



ØM10 x 90
8 pcs



ØM10 x 80
20 pcs



ØM10 x 60
8 pcs



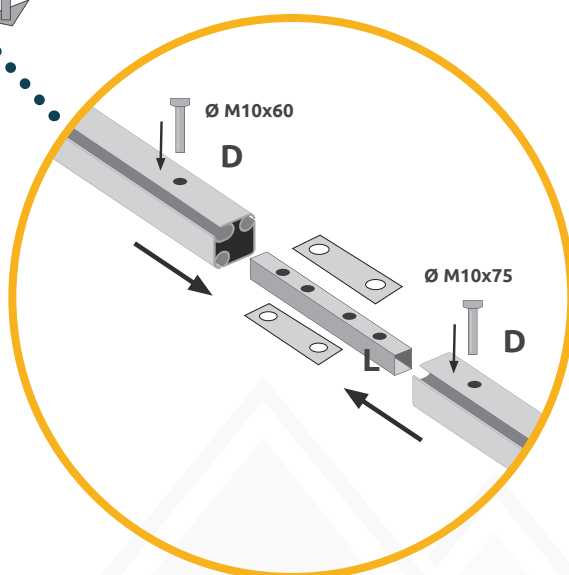
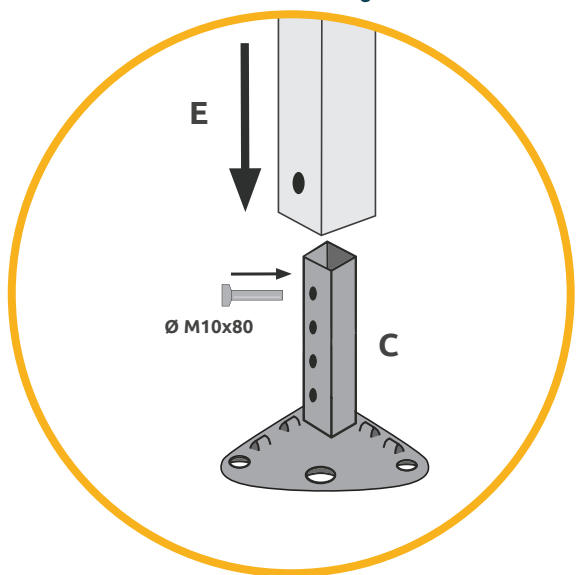
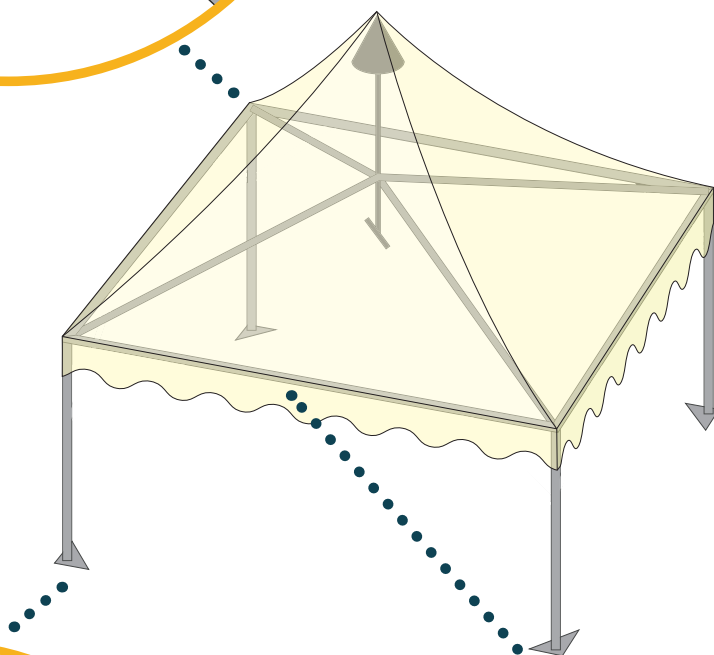
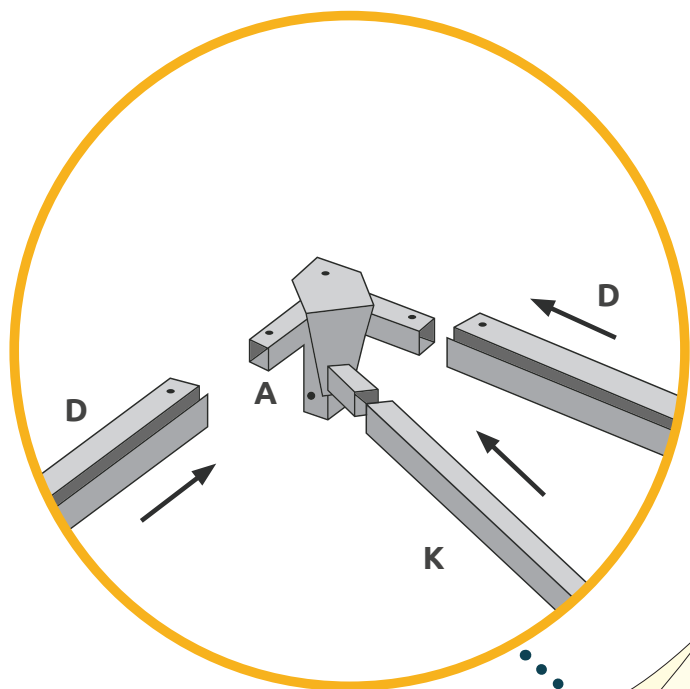
8 pcs

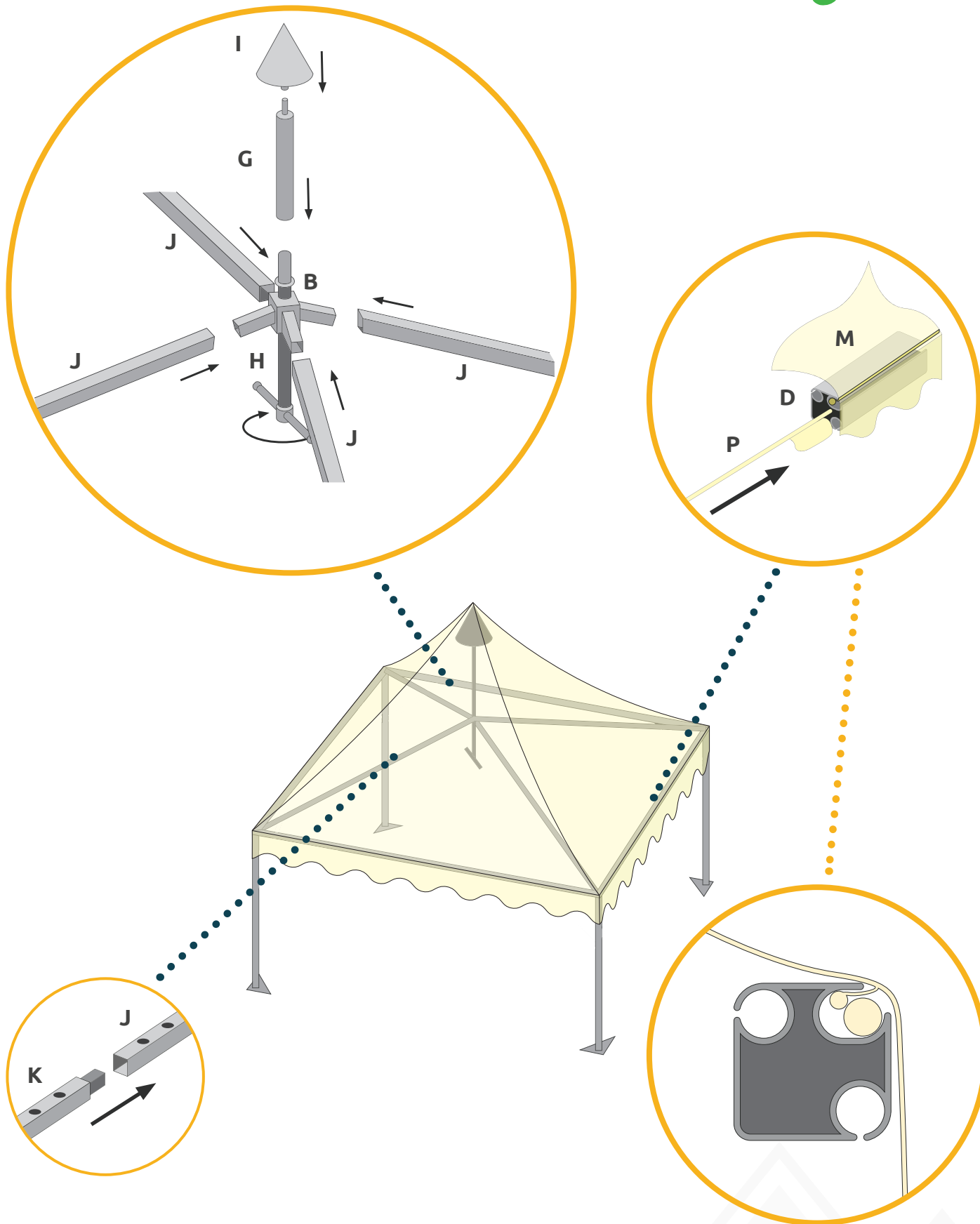


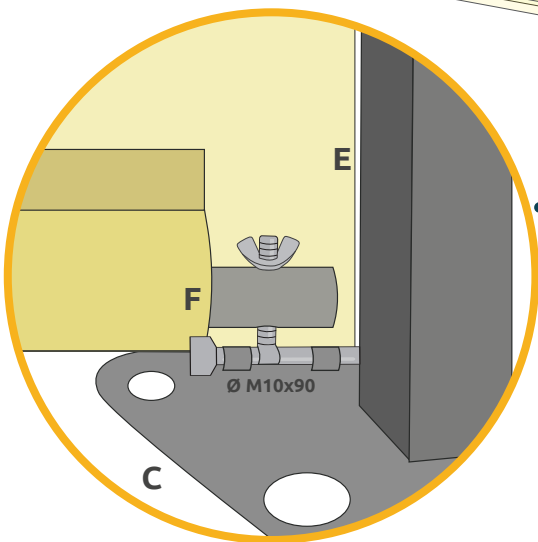
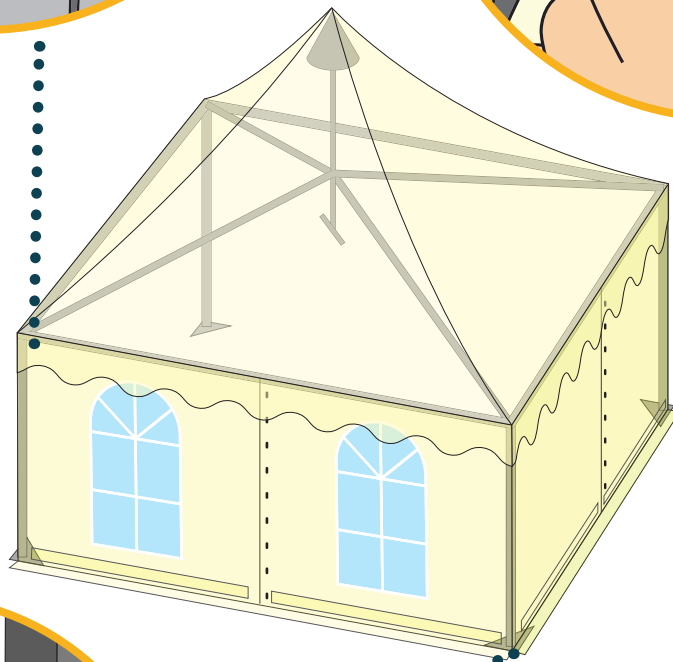
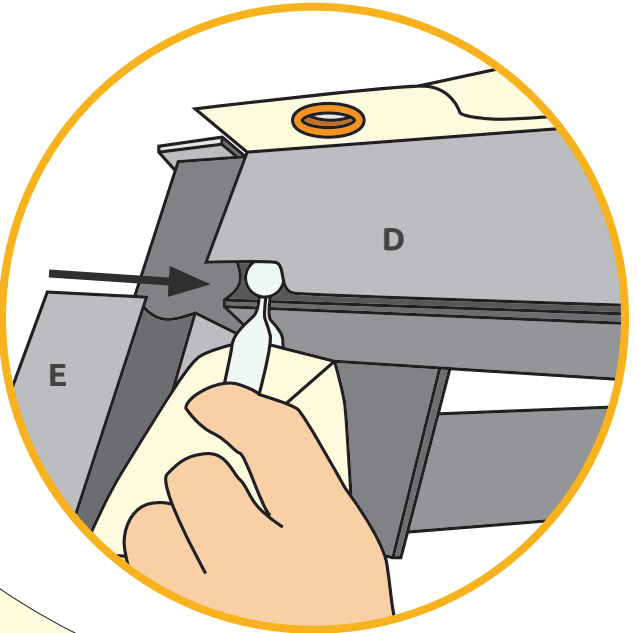
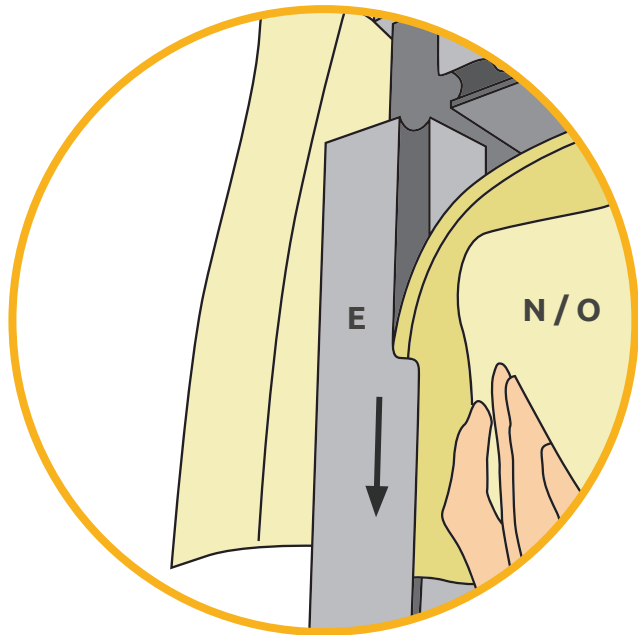
8 pcs



4 pcs





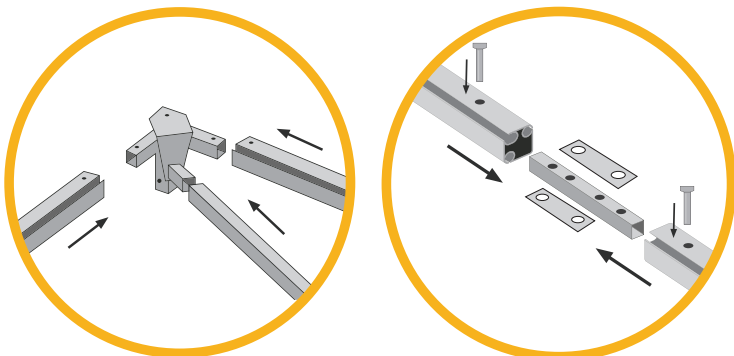


PAGODETENT / TENTE PAGODE 5X5

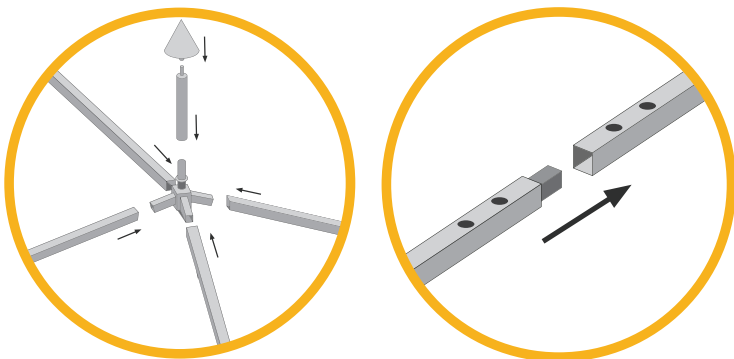
HANDLEIDING/ MANUEL D'INSTRUCTIONS



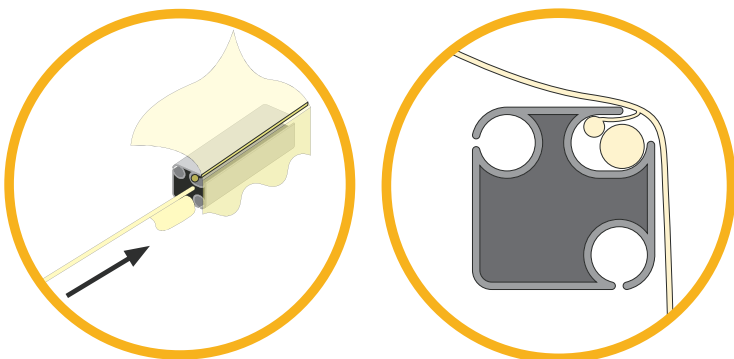
STAP 1



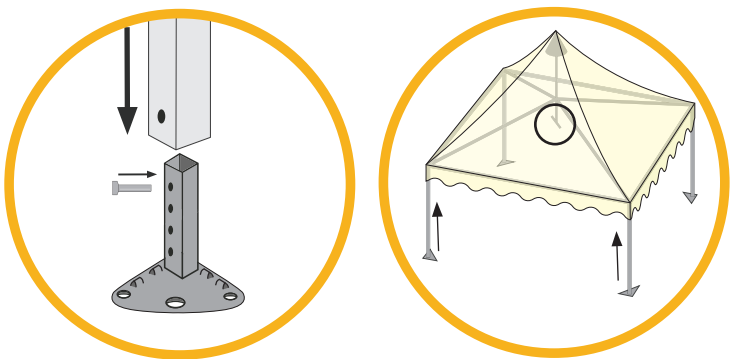
STAP 2



STAP 3



STAP 4

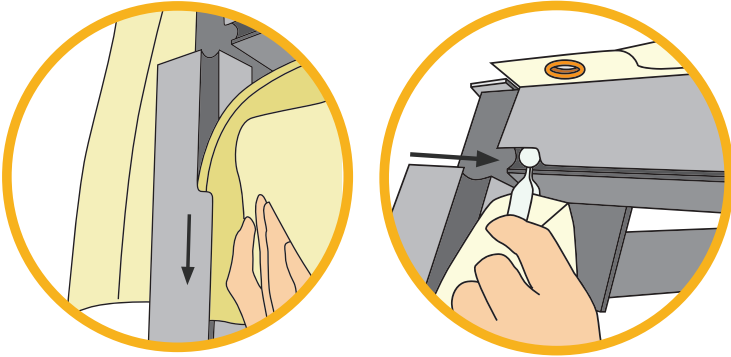


PAGODETENT / TENTE PAGODE 5X5

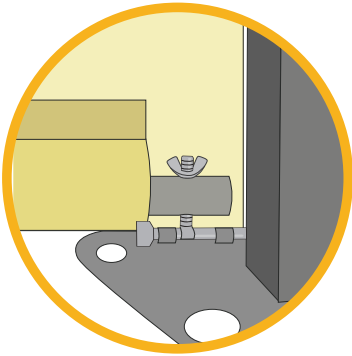
HANDLEIDING/ MANUEL D'INSTRUCTIONS

SOLID
green

STAP 5



STAP 6



STAP 6

